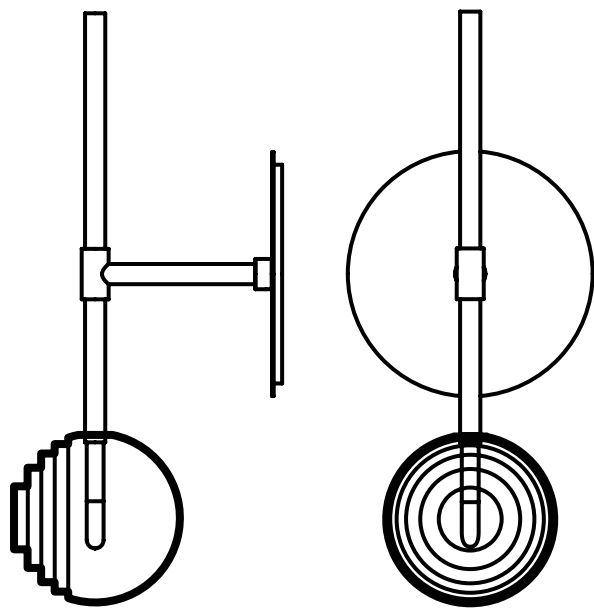


dark & bright star

Design by Dechem Studio



loomma

bomma.cz

TECHNICAL SHEET
FOR WALL LIGHT FIXTURES

DARK & BRIGHT STAR

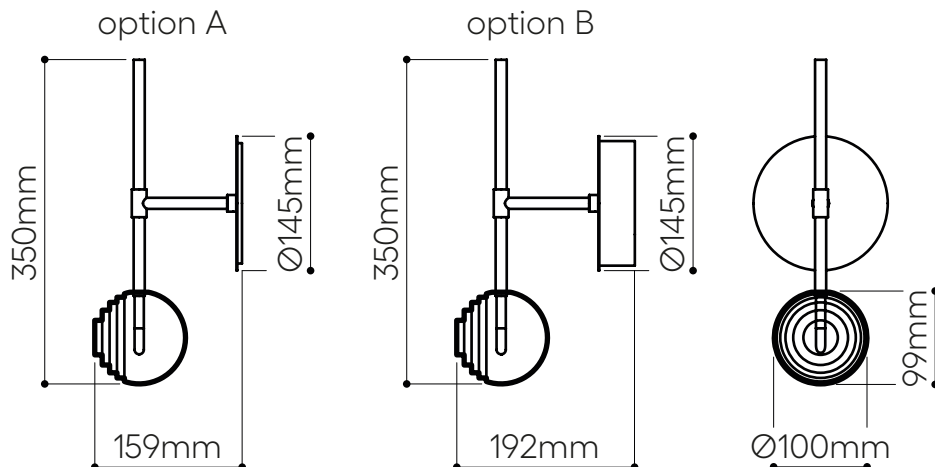
wall

Design by
Dechem Studio

Handmade glass attributes

All Bomma products are hand-made from mouth-blown lead-free crystal. Therefore any small bubbles and/or irregularities in the glass are both a proof and a characteristic feature of this traditional craft.

The Dark and Bright Star Collection is produced in two colors, simply referred to as dark and bright. The bright version is clear glass with an opaque sanded finish, the dark version is made of fully-colored glass. Thanks to the manual process of blowing, each piece is an original. Individual products may vary slightly in hue or color intensity.



LIGHTING DESCRIPTION

Size	100 × 159 (192) × 350 mm 3,94 × 6,26 (7,6) × 13,78 inch
Weight	+/- 1,7 kg / 3,75 lb
Glass	mouth-blown lead-free crystal in dark and bright
Mounting	brushed gold (brushed brass)
Recommended junction box	EU - A.UK1-SH (72mm dia, 60mm min. depth) UL/The Americas - electrical box, Octagon, 4 X 4 inch (1,4 inch min. depth)
Protection	IP 20
Nominal voltage	220-240V A.C. 50 hz (EU) 110-120 V A.C. 60 Hz (USA)
Class	II. EU / I. USA

LIGHT SOURCE

Type	G4, 1,2W LED, 100 lm
Base	G4 (EU) / G4 (USA)
Voltage	12VDC, 100mA
Temperature	2700 K
Color index	RA 90+

Dimming
EU/Other versions - non-dimmable
UL/The Americas - TRIAC, ELV
Single pendant is non-dimmable except UL

TRANSFORMER

Primary circuit	100-240V, 50/60 Hz
Dimmer circuit	12VDC, +/-0,5A, 5W

PACKAGING

Material	Cardboard
Size	220 × 220 × 250 mm 8,6 × 8,6 × 9,8 inch

Origin: traditionally produced in the Czech Republic
Intellectual property license holder: Bomma Czech Republic (EU)
Represented by BMRC group s.r.o.

CERTIFICATES

